

'Meech International' is a trading style of Meech Static Eliminators Ltd

TITLE : 914 Assembly

DRAWING NO: A914

MATERIAL : Various

FINISH : Various

TOLERANCE UNLESS OTHERWISE SPECIFIED
 Machined Work Metric $\pm 0.1\text{mm}$
 Unmachined Fabrications $\pm 1\text{mm}$
 Angular $\pm 0^{\circ}30'$

DIMENSIONS IN MM DO NOT SCALE
 CRITICAL TO FUNCTION (CTF)
 DIMENSIONS AS MARKED

PROJECTION	SHEET	SCALE
	A3	NTS

DATE : 12/03/2020

REVISION : 1

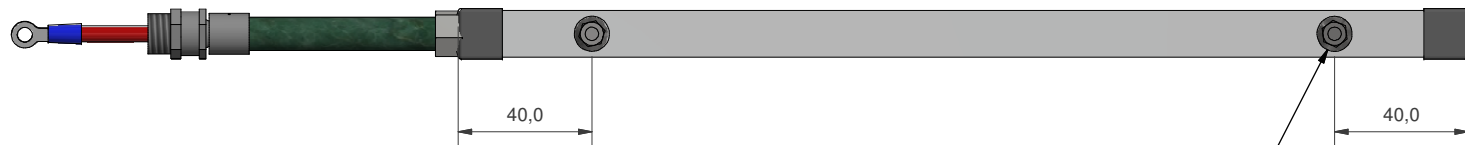
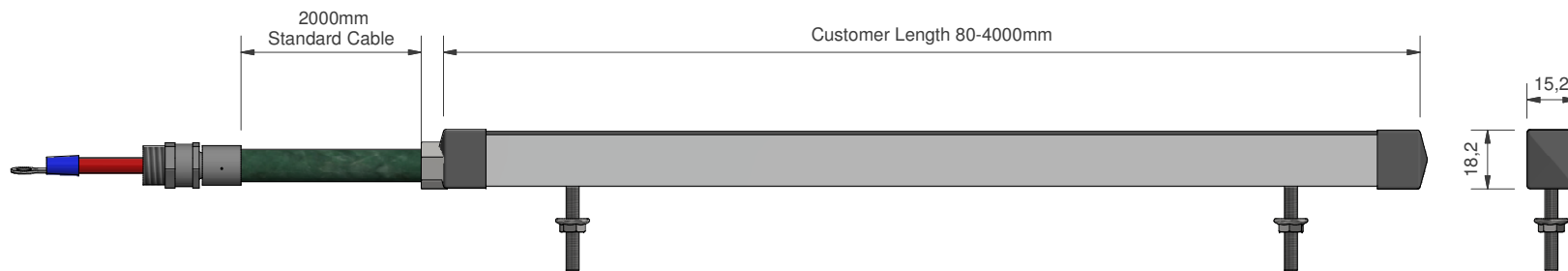
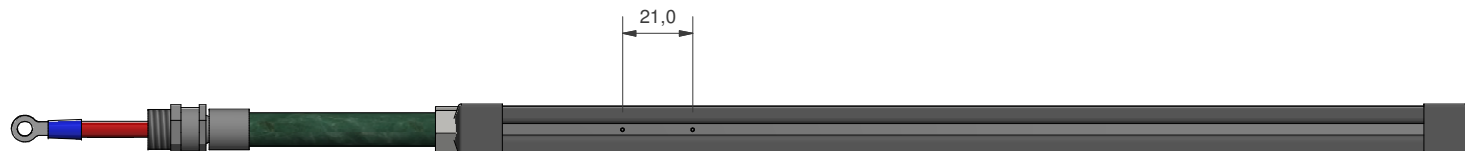
SHEET : 1 / 1

DETAIL : Marketing

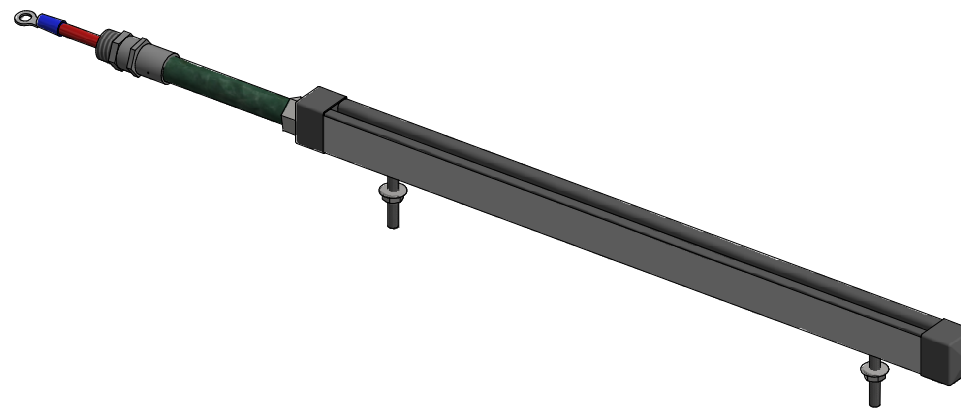
DRAWN BY : Samuel Davies

CHECKED BY : David Hyde

SIGNED OFF BY : David Hyde



2 Studs positioned 40mm off of each end
 every extra stud is added evenly



914	
Length (mm)	No. of Studs
0-1000	2
1001-1500	3
1501-2000	4
2001-2500	5
2501-3000	6
3001-3500	7
3501-4000	8